



## INTERNATIONAL APPLICATION PUBLISHED UNDER THE PATENT COOPERATION TREATY (PCT)

(51) International Patent Classification 6 : <b>B01D 61/00</b>	<b>A1</b>	(11) International Publication Number: <b>WO 00/02649</b> (43) International Publication Date: 20 January 2000 (20.01.00)
<p>(21) International Application Number: PCT/US99/14474</p> <p>(22) International Filing Date: 25 June 1999 (25.06.99)</p> <p>(30) Priority Data: 09/111,655      8 July 1998 (08.07.98)      US</p> <p>(71) Applicants: BAXTER INTERNATIONAL INC. [US/US]; One Baxter Parkway, Deerfield, IL 60015 (US). CERUS CORPORATION [US/US]; Suite 300, 2525 Stanwell Drive, Concord, CA 94520 (US).</p> <p>(72) Inventors: BOGGS, Daniel, R.; 1130 Winners Circle, Libertyville, IL 60048 (US). HEI, Derek, J.; 4405 Smoke Tree Court, Concord, CA 94521 (US). STERNBERG, Schmuel; 709 E. Lenox Lane, Palatine, IL 60048 (US). PAULEY, Robin, G.; 24866 W. Grand Avenue, Lake Villa, IL 60046 (US). MCLARTY, Donna, L.; 1115 Dreslin Drive, Hoffman Estates, IL 60195 (US).</p> <p>(74) Agent: SEREWICZ, Denise, M.; Baxter Healthcare Corporation, Rt 120 &amp; Wilson Road, Round Lake, IL 60073 (US).</p>		<p>(81) Designated States: AU, BR, CA, JP, European patent (AT, BE, CH, CY, DE, DK, ES, FI, FR, GB, GR, IE, IT, LU, MC, NL, PT, SE).</p> <p><b>Published</b> <i>With international search report.</i></p>
(54) Title: APPARATUS, MEMBRANES AND METHODS FOR REMOVING ORGANIC COMPOUNDS FROM A BIOLOGICAL FLUID		
<p>(57) Abstract</p> <p>A membrane (10) and a method for making a membrane (10) are disclosed. The membrane (10) includes a polymeric matrix (16) and a particulate material immobilized within the matrix (16). The membrane (10) may include a support (18) within the core of the membrane (10) and may further include a skin (19). The membrane (10) may find particular application in methods and apparatus for removing organic compounds from a biological fluid as part of a pathogen inactivation treatment.</p>		

*FOR THE PURPOSES OF INFORMATION ONLY*

Codes used to identify States party to the PCT on the front pages of pamphlets publishing international applications under the PCT.

AL	Albania	ES	Spain	LS	Lesotho	SI	Slovenia
AM	Armenia	FI	Finland	LT	Lithuania	SK	Slovakia
AT	Austria	FR	France	LU	Luxembourg	SN	Senegal
AU	Australia	GA	Gabon	LV	Latvia	SZ	Swaziland
AZ	Azerbaijan	GB	United Kingdom	MC	Monaco	TD	Chad
BA	Bosnia and Herzegovina	GE	Georgia	MD	Republic of Moldova	TG	Togo
BB	Barbados	GH	Ghana	MG	Madagascar	TJ	Tajikistan
BE	Belgium	GN	Guinea	MK	The former Yugoslav Republic of Macedonia	TM	Turkmenistan
BF	Burkina Faso	GR	Greece	ML	Mali	TR	Turkey
BG	Bulgaria	HU	Hungary	MN	Mongolia	TT	Trinidad and Tobago
BJ	Benin	IE	Ireland	MR	Mauritania	UA	Ukraine
BR	Brazil	IL	Israel	MW	Malawi	UG	Uganda
BY	Belarus	IS	Iceland	MX	Mexico	US	United States of America
CA	Canada	IT	Italy	NE	Niger	UZ	Uzbekistan
CF	Central African Republic	JP	Japan	NL	Netherlands	VN	Viet Nam
CG	Congo	KE	Kenya	NO	Norway	YU	Yugoslavia
CH	Switzerland	KG	Kyrgyzstan	NZ	New Zealand	ZW	Zimbabwe
CI	Côte d'Ivoire	KP	Democratic People's Republic of Korea	PL	Poland		
CM	Cameroon	KR	Republic of Korea	PT	Portugal		
CN	China	KZ	Kazakstan	RO	Romania		
CU	Cuba	LC	Saint Lucia	RU	Russian Federation		
CZ	Czech Republic	LJ	Liechtenstein	SD	Sudan		
DE	Germany	LK	Sri Lanka	SE	Sweden		
DK	Denmark	LR	Liberia	SG	Singapore		
EE	Estonia						

**APPARATUS, MEMBRANES AND METHODS FOR  
REMOVING ORGANIC COMPOUNDS FROM A BIOLOGICAL FLUID**

5

The present invention relates to composite membranes and to methods for making composite membranes. More particularly, the present invention relates to a novel composite membrane that includes a particulate material immobilized within a polymeric matrix and to a method for making such a membrane. The methods and apparatus employing such a membrane are particularly useful for removing organic compounds that have been added to a biological fluid, such as blood, as part of a pathogen inactivation treatment.

10

15

BACKGROUND OF THE INVENTION

20

25

Human blood includes both cellular and non-cellular components. The cellular components in blood include red blood cells (RBC), white blood cells (WBC), and platelets. Plasma is a non-cellular component of blood and is the liquid medium in which the cellular components are suspended. Plasma also includes various other components such as proteins, compounds that assist in blood coagulation (coagulation factors), electrolytes and metabolites.

30

During or after collection, human whole blood is commonly separated into its various components (RBC, WBC, platelets, plasma). Typically, the separated components may be stored for some period of time, and transfused to a patient in need of a particular blood component. For example, collected plasma may be

transfused to a patient to provide plasma proteins and coagulation factors, or to replace lost blood volume. Platelets may be administered to cancer patients whose ability to produce platelets has been destroyed by chemotherapy and/or radiation treatment. RBCs may be administered to patients who have experienced rapid blood loss, or to improve the oxygen carrying capability of blood in patients suffering from anemia and the like.

It is now well known that viruses such as hepatitis B, hepatitis C, human immunodeficiency virus (HIV), cytomegalovirus and T-cell lymphotropic virus (HTLV) may be resident within human blood and within the blood components. Certain bacteria such as *Yersinia enterocolitica* may also reside within human blood. The presence of virus and/or bacteria, (collectively referred to herein as "pathogens") in the blood stream poses the risk of infection and disease not only to the host, but also to a healthcare provider handling the blood, and/or if the collected blood or blood component is to be transfused, to the recipient of such blood or blood components. Accordingly, the medical community has attempted to reduce the risk of transfusing blood that contains such pathogens by developing methods and apparatus to remove or inactivate pathogens found in the blood component. As used herein, "pathogen inactivation" (and forms thereof) means, generally, rendering a pathogen harmless to a living being. Pathogen inactivation includes killing, destroying, or eradicating a pathogen (either viral or bacterial), or either directly or indirectly inhibiting the ability of the pathogen to replicate. "Pathogen inactivating compounds" refers to compounds used in pathogen inactivation, including the decomposition products of such compounds.

One early attempt of removing virus from blood involved the filtration of blood and blood components to remove intracellular viruses entrained, for example, in white blood cells, Rawal et al.,  
5 "Reduction of Human Immunodeficiency Virus-Infected Cells From Donor Blood by Leukocyte Filtration," Transfusion, pages 460-462 (1989).

Other prior methods for inactivating viruses and, in particular, extracellular viruses in blood,  
10 include steam sterilization of blood plasma and use of "detergents" to cleanse the blood or the blood component of the pathogens.

Pathogen inactivation has also been proposed by treating blood or blood components with a  
15 photochemical agent and light, referred to as "photoactivation". When activated by light of an appropriate wavelength, the photochemical agent either kills the virus directly or indirectly inhibits the ability of the virus to replicate and, thus, in either  
20 case "inactivates" the virus. Several known photochemical agents have been used or disclosed for use in inactivating viruses in blood, including psoralens, as described in U.S. Patent No. 5,459,030; pthalocyanines, as described, for example in Rywkin,  
25 S. et al. Photochem. Photobiol. 60:165-170 (1994); and phenothiazine dyes, including without limitation, toluidine blue O, azure A, azure B, azure C, thionine, methylene blue and dimethylmethylene blue. For  
30 example, U.S. Patent No. 5,527,704, incorporated by reference herein, discloses methods and apparatus for inactivating viruses in biological fluid in which a biological fluid (e.g., plasma) is combined with methylene blue and subjected, for a period of time, to  
35 light of a suitable intensity and wavelength for activating the methylene blue.

Other methods for treating biological fluid such as blood or blood components which do not involve photoactivation are also known. For example, International Publication No. WO98/070674 describes mustards linked to aziridines. U.S. Patent Nos. 5,691,132 and 5,559,250 (which are incorporated by reference herein) describe methods for treating a biological fluid that includes RBCs by contacting the RBCs with a compound having a nucleic acid binding ligand and a mustard group. It is believed that such compounds react with nucleic acids of the pathogen (both viral and bacterial) to form covalent complexes that inhibit replication of the pathogen. Examples of acridine compounds include, but are not limited to, compounds such as N1, N1-bis (2-chlorethyl) -N4-(6-chloro-2-methoxy-9-acridinyl)-1,4 pentanediamine.

It may also be desirable to include certain other organic compounds in the above described treatment system to enhance the effectivity of the pathogen inactivating compound by reducing or "quenching" potential side reactions of the pathogen inactivating compound. For example, inclusion of certain naturally occurring tripeptides such as, but not limited, to reduced L-glutathione quenches potential side reactions and allows for maximum pathogen inactivation by the pathogen inactivating compound. Other examples of quenchers useful in pathogen inactivation processes may include sulfydryls such as mercaptoethanol, as described in Rywkin, S. et al. Transfusion 35:414-20 (1995), cystein, quercitin, as described in Ben-Hur et al, Photochem. Photobiol 57:984-8 (1993) and rutin, as described in Margolis-Nunno, Transfusion 35:852-862 (1995).

As many of the pathogen inactivation methods known to date involve addition of either (1) compounds not normally present in blood (e.g., photochemical dyes, nucleic acid binding agents with mustard groups)

or (2) concentrations of compounds (e.g., L-glutathione) in excess of typical concentrations found in human blood, it is desirable to remove substantially as much of the added compounds as possible from the treated biological fluid, prior to transfusion to a patient or other recipient.

For example, methods and devices for separating photoactive agents used in pathogen inactivation are described in U.S. Patent No. 5,660,731. In that patent, photochemical agents such as methylene blue are separated from blood by contacting the photochemical agent with a porous medium that includes, for example, activated carbon fibers. The porous medium may be in the form of a web, sheet, cylinder or included in a filter with an inlet and outlet through which the biological fluid passes and, thus, contacts the porous medium.

A similar approach is described in U.S. Patent No. 5,639,376 which discloses a filter for removing leukocytes and a viral inactivating agent such as methylene blue, its metabolites and photodecomposition products, from plasma or other blood fractions. As in U.S. Patent No. 5,660,731, removal of the antiviral agent is achieved by contacting the blood with a filter adapted for removing, for example, both leukocytes and the antiviral agents. The filter includes activated carbon as a sorbent for methylene blue.

U.S. Patent No. 4,728,432 more generally describes methods and devices for removing poisonous substances contained in blood by means of sorption. The sorbents described in that patent include, for example, activated carbon fixed to a support member. The activated carbon is combined with a polymer.

Other examples of methods and devices for removing organic compounds from a biological fluid are described in U.S. Patent Application Serial No.

09/003,113, entitled "Methods and Devices for the Reduction of Small Organic Compounds from Blood Products" which is incorporated by reference herein. That application describes using sorbent particles such as activated carbon beads applied to a support for removal of, for example, acridine, acridine derivatives, methylene blue or thiols in a blood product. The activated carbon beads may be contained within a pouch or overwrap, or captured within a fiberized matrix, or captured within a fiberized matrix and contained within a pouch or overwrap.

#### SUMMARY OF INVENTION

The present invention may find particular application in the medical field and, more specifically, in the field of pathogen inactivation. Accordingly, the present invention is directed to apparatus for reducing the concentration of selected organic compounds within a biological fluid. In one aspect of the present invention, the apparatus may include a biocompatible container and a membrane disposed within the interior of the container. The membrane includes a selected quantity of a non-fiberized polymeric material and a selected quantity of a sorbent material.

The present invention is also directed to methods for removing selected organic compounds in a biological fluid. In one aspect of the present invention, the method may include providing a quantity of a biological fluid that includes selected organic compounds. The method further includes contacting the biological fluid with a membrane that includes a selected quantity of a non-fiberized polymeric material and a selected quantity of a sorbent material immobilized within the polymeric material.

The present invention is also directed to a flexible composite membrane for reducing the



concentration of selected organic compounds within a biological fluid. The membrane includes a selected quantity of a polymeric material and a selected quantity of activated charcoal. The activated charcoal is substantially immobilized within the polymeric matrix. The membrane includes a selectively permeable skin on the outer surface of the membrane.

#### DESCRIPTION OF THE DRAWINGS

10 Fig. 1 is a perspective view of a container that includes a membrane embodying the present invention;

Fig. 2 is a perspective view of a container including an alternative embodiment of a membrane embodying the present invention;

15 Fig. 3 is an enlarged, partial, side, cross-sectional view of a membrane (with a support) made in accordance with the present invention taken along 3-3 of Fig. 1;

20 Fig. 4 is an enlarged, partial, side, cross-sectional view of a membrane (without a support) made in accordance with the present invention;

Fig. 5 is a side cross-sectional view of the container and membrane of Fig. 1 taken along 5-5;

25 Fig. 6 is a side cross-sectional view of the container and membrane of Fig. 2 taken along 6-6;

Fig. 7 is a side cross-sectional view of an alternative embodiment of the container and a membrane embodying the present invention;

30 Fig. 7A is a side cross-sectional view of an alternative embodiment of the container and membrane embodying the present invention;

Fig. 8 is a diagram of the apparatus and method used for making membranes in accordance with the present invention;

35 Fig. 9 is an enlarged perspective view of one stage of the apparatus and method shown in Fig. 8, in

which a polymer solution/particulate blend is applied to a support;

5 Fig. 10 is an enlarged cross-sectional side view of the apparatus of Fig. 9 taken along line 10-10 of Fig. 9;

Fig. 11 is a perspective view of an apparatus useful in the method of making membranes of the present invention;

10 Fig. 12 is a cross-sectional side view of the apparatus of Fig. 11 taken along 12-12;

Fig. 13 is a side view of another embodiment of a membrane made in accordance with the present invention;

15 Fig. 14 is a photograph of a cross-sectional view of an actual membrane (magnified approximately 100X) embodying the present invention, using a scanning electron microscope;

20 Fig. 15 is a photograph of a cross-sectional view of an actual membrane (magnified approximately 3300X) embodying the present invention, using a scanning electron microscope;

25 Fig. 16 is a photograph of a cross-sectional view of an actual membrane (magnified approximately 1500X) embodying the present invention, taken near the support, using a scanning electron microscope;

30 Fig. 17 is a photograph of a cross-sectional view of an actual membrane (magnified approximately 1600X) embodying the present invention, taken near the outer surface of the membrane, using a scanning electron microscope;

Fig. 18 is a photograph of the surface of an actual membrane (magnified approximately 270X) embodying the present invention, using a scanning electron microscope;

35 Fig. 19 is a photograph of the surface of an actual membrane (magnified approximately 5500X)

embodying the present invention, using a scanning electron microscope;

5 Fig. 20 is a photograph of the surface of an actual membrane (magnified approximately 37,000X) embodying the present invention, using a scanning electron microscope;

Fig. 21 is a photograph of activated charcoal powder particles (magnified approximately 400X), using a scanning electron microscope;

10 Fig. 22 is a photograph of activated charcoal powder particles (magnified approximately 3300X), using a scanning electron microscope;

Fig. 23 is a photograph of activated charcoal powder particles (magnified approximately 37,000X), using a scanning electron microscope;

15 Fig. 24 is a graph showing the rate of sorption of methylene blue by a membrane made in accordance with the present invention;

20 Fig. 25 is a graph showing the rate of sorption of L-glutathione by a membrane made in accordance with the present invention;

Fig. 26 is a graph showing the sorption of an acridine derivative in packed RBC by a membrane made in accordance with the present invention;

25 Fig. 27 is a graph showing the sorption of L-glutathione in packed RBC by a membrane made in accordance with the present invention; and

30 Fig. 28 is a graph showing the percent hemolysis in packed RBC treated with an acridine compound and L-glutathione, and contacted with a membrane made in accordance with the present invention.

#### DETAILED DESCRIPTION OF DRAWINGS

35 Turning now to the drawings, the present invention is shown, for purposes of illustration only, in connection with removal of pathogen inactivating compounds, including pathogen inactivating agents,

their by-products and/or other added organic compounds employed in a pathogen inactivation process. As described more fully below, certain aspects of the present invention, such as the membrane and the method for making the membrane, have application beyond the field of pathogen inactivation of biological products. For example, the membrane and method for making it may have application in any other field or industry where it is desired to have an apparatus (such as membrane, tube, rod etc.) in which a particulate material is immobilized by or within a polymeric matrix. Accordingly, while the detailed written description of this invention is generally in the context of pathogen inactivation of biological fluids, such as blood components, the scope of the present invention is set forth in the appended claims.

Figure 1 shows a membrane 10 made in accordance with the present invention inside a plastic container 12 suitable for holding a biological fluid, such as, but not limited to, blood and blood components. As shown in Figure 1, membrane 10 may be in the shape of a flat sheet or, alternatively, pleated as shown in Figs. 2 and 6 or rippled, as shown in Fig. 13. A pleated or rippled sheet enhances contact of the membrane surface with the compounds to be removed. Although the membranes 10 specifically shown in Figures 1 and 2, occupy much of the cross-sectional area of the container interior, it should be understood that the size and dimensions of the membrane sheet may be varied without departing from the present invention. Also, it will be understood that the present invention is not limited to sheet membranes (flat, pleated or rippled), but may also be embodied in other configurations such as fibers, rods, tubes and the like. Also, membranes made in accordance with the present invention may be housed in a device having a flow inlet and flow outlet. The

device may include a substantially flat membrane where the flow of fluid is transverse to the membrane surface, or may include a rippled or pleated membrane whereby the areas between the ripples or pleats provide flow channels for axial flow of the fluid.

Turning briefly to a discussion of the container, container 12 may be made of any polymeric material that is typically used for making biomedical containers. For example, the container may be made of a polyvinyl chloride (PVC) that has been plasticized with a plasticizer such as DEHP, TEHTM, citrate ester or other known, biocompatible plasticizers. Alternatively, the container may be made of a non-PVC plastic, such polyolefin with or without a plasticizer. Examples of suitable biocompatible containers for storing biological fluid include the containers described in U.S. Patent Numbers 5,167,657, 5,100,401 and 5,026,347.

Returning now to a description of the membrane 10, as generally shown in Figures 3 and 4, membrane 10 is a composite of a polymeric material and a particulate material (shown as specs) within the polymeric matrix 16 of the membrane. Membrane 10 may optionally, include a support 18 (Fig. 3) or be made without a support (Fig. 4). As shown in Figure 3, for example, support 18 forms the core of the membrane 10 and provides a substantially open structure within the continuous matrix 16 of the membrane. The outer surface of membrane 10 may further include a "skin" 19 (described in more detail below). As shown in Fig. 3 and in Fig. 18, the skin 19 may include randomly spaced surface pores 21.

In another alternative, shown for example in Figure 7, the membrane 10 may be supported directly by the interior of the container wall 12 (i.e., the container wall acting as a support). In still another alternative, the edges of membrane 10 may be held by

the sealed walls 13 of container 12 as shown in Fig. 7A.

Support 18 may be made of any material to which the polymeric material will adhere including, for example, polymers, glass, cloth or other fibrous material, (as shown, for example, in Fig. 3 wherein the fibers 18a may be seen). In one embodiment, the support may be a polyester mesh material. Such a material is available as Hollytex 3257 from Ahlstrom Corp. of Mount Holly Springs, PA.

As described above, membrane 10 may be made of a polymeric material (such as a polymer or copolymer) and a selected amount of a particulate material immobilized within the polymeric material. The polymeric material may be a polymer (including elastomers), a copolymer, mixtures of polymers, mixtures of copolymers or mixtures of polymers and copolymers. If membrane 10 is to be used in conjunction with a biological fluid, the polymeric material should not deleteriously affect the biological fluid which it contacts. The polymeric material should also be substantially miscible with the particulate material. Typically, the polymeric material may be hydrophilic, but may also be a hydrophobic polymeric material that is capable of being hydrophilized. Examples of polymeric materials suitable for use in the membrane of the present invention include, but are not limited to, polyurethane, cellulose acetate, polyvinylidene fluoride (PVDF) polyvinyl chloride (PVC), thermoplastic elastomers (such as those sold under the name Hytrel) and ethylene vinyl alcohol copolymer. Particularly useful in the present application are the polyurethanes. Polyurethanes are available from a variety of suppliers, such as Morton International Inc. The polyurethanes Morthane PNO3 and Morthane PB355, are presently preferred.

The particulate material should likewise be capable of being combined with the selected polymer. Where the membrane 10 is used to absorb selected organic compounds from a biological fluid, the particulate material may be a sorbent. Sorbents in powdered form may be preferred (over, for example, beads or other larger particles) so that the membrane will have a smoother surface and, thus, be less abrasive to the fluid which it contacts and the components therein. In addition, a powdered sorbent may be more effectively immobilized by the polymer. Of course, selection of the sorbent may also depend, in part, on the affinity of the compound to be removed for the particular sorbent.

Activated charcoal is a known sorbent and is the preferred sorbent for the present invention. Activated charcoal is available in bead form, however, for reasons set forth above, activated charcoal in a powdered form may be preferred. Activated charcoal is also available from a variety of sources. Examples of activated charcoal include activated charcoal powders available from Norit® Americas Inc. of Marshall, Texas such as Norit Pac 200, Darco S51FF, Darco KB-B, Norit SX Ultra, G-60 Norit® A Supra, Norit® B Supra and Norit E® Supra. Typically, the particles of activated charcoal are porous and have a diameter of less than about 20  $\mu$  or even less than 10  $\mu$  and have a total surface area of greater than about 1000 m<sup>2</sup>/g. Particularly useful in making the membranes of the present application is Norit® A Supra activated charcoal powder. For example, in Norit® A Supra, most of the particles have a diameter of less than about 20  $\mu$  and a substantial number have a diameter of less than about 10  $\mu$ . Norit® A Supra has a typical total surface area of about 2000 m<sup>2</sup>/g. Of course, other activated charcoals may also be used. Other

examples of particulate materials suitable for use in the present invention include microporous polystyrene sorbent beads which, preferably, may be ground to provide smaller particles having a diameter of about  
5 20  $\mu\text{m}$  or less.

As discussed in more detail below, the above-described polymeric materials and particulate materials are combined to form a slurry-like blend used to make membrane 10. The blend includes (1) a  
10 polymer solution derived from a polymeric material dissolved in a solvent and (2) the particulate. Alternatively, the blend may include a molten polymer (i.e., no solvent) and particulate. As used herein, "blend" refers to the polymeric material (either as a  
15 polymer solution or molten polymer) and the particulate material. In accordance with the present invention, it is desirable that the amount of solids in the blend (i.e., excluding the solvent) include anywhere between about 40%-90%, by weight, of the  
20 particulate material and between about 10%-60%, by weight, of the polymeric material. In one embodiment, the amount of particulate (by weight) in the blend should be greater than 50% (of the solids). Preferably, the solids in the blend may include  
25 approximately 70% of the particulate material and approximately 30% of the polymeric material.

Membranes of the type described above (and, in particular, those derived from a blend of a polymer solution and particulate) may be made, for example, by  
30 flow casting or extruding the blend onto a support 18 using the apparatus 20 generally depicted in Figure 8. As shown in Figure 8, apparatus 20 may include a rolled sheet of support 18. Support is dispensed (from dispenser 22) into a v-shaped chamber 24 that  
35 receives the sheet of support and the blend. The blend is applied to the outer surfaces of the support 18 (as shown in Fig. 9) within the chamber. The



support with blend applied thereon exits the chamber through an opening at the bottom of the chamber 24. Of course, the membrane of the present invention may also be made without an integral support by, for example, applying the blend to a drum and, thereafter, peeling the membrane off the surface of the drum (and further processing the membrane as described below). In any event, whether the membrane 10 is made with or without a support, apparatus 20 may include one or more baths 26 and 28 containing solutions used in the process of making the membrane. Apparatus 20 also may include drying oven 30. Optionally, apparatus 20 may include additional bath 32 and oven 34 for further post-drying treatment of membrane 10. Typically, apparatus 20 includes a series of rollers 36 over which the membrane is threaded as generally shown in Figure 8. Rotation of the rollers 36 effects movement of the membrane from dispenser 22, through the series of baths 26, 28, 32 and ovens 30 and 34. Finally, if desired, equipment for winding 38 and slitting the membrane 10 to its desired width may also be included.

In accordance with one method of making the membrane of the present invention, the polymeric material and the particulate material are combined in the proportions generally described above. Specifically, the polymeric material may first be dissolved in a suitable solvent. A variety of solvents may be used for different polymeric materials. For exemplary purposes only, where the polymer is a polyurethane or cellulose acetate, a suitable solvent may be N-methylpyrrolidone (NMP). A suitable solvent for PVC may be tetrahydrofuran, while a suitable solvent for PVDF may be dimethylacetamide (DMAC). Of course, it will be appreciated by those of skill in the art that other solvents may also be used.

A selected amount of the particulate material may then be added to the dissolved polymeric material

(polymer solution) to provide the slurry-like blend. The blend is then introduced into chamber 24 through which support 18 has been threaded. As shown in more detail in Figures 9 and 10, chamber 24 is generally v-shaped and includes gap 40 at the bottom through which the support 18 exits. The width of gap 40 may be adjusted to accommodate different thicknesses of support 18 and also to control, in part, the thickness of the blend coated on support 18.

As shown in Fig. 10, the lower portion of chamber 24 includes a narrow passageway 41 defined by downwardly extending walls (or land) 43. As the blend flows into the passageway 41, shear forces generated between the walls 43 and support 18 may urge the particles within the blend away from the walls 43 and toward the center of the membrane. Thus, it is presently believed that more of the particles may be distributed within the inner portions of the membrane than at or near the outer surfaces, (as generally shown, for example, in Figs. 3 and 4) thus effectively providing the membrane with a "skin" portion over the interior of the membrane and, more specifically, the polymeric matrix. As more of the particles are disposed within the interior of the membrane than in or near the skin, it is less likely that particles will become dislodged from the membrane and enter the fluid with which membrane 10 is in contact during use. It is also believed that larger particles having, for example, a diameter greater than about 20  $\mu\text{m}$  are excluded from entering passageway 41 and, therefore, are not included in the membrane. This may be desirable from the standpoint that larger particles may not be as effectively immobilized by or within the polymeric matrix. Thus, excluding larger particles decreases the possibility that particulate will become dislodged from the polymer and enter the fluid with which membrane 10 is in contact with during use.

In addition, walls 43 may also assist in providing that the thickness of the blend on either side of the support 18 is symmetric and uniform by ensuring that support 18 is properly centered within gap 40. It is believed that if support 18 is not properly centered within gap 40, the shear forces on either side of the support within passageway 41 will not be equal. The greater pressure on one side of the support 18 may shift the support back to the center of the gap 40. Thus, the apparatus of the present invention provides for a "self-centering" membrane that will receive a uniform coating of the blend. In one embodiment, the length of passageway, as defined by walls 43, may be between 0.5-3 cm in length.

In an alternative embodiment of the present invention, a second v-shaped chamber (shown in broken lines as chamber 25 in Fig. 8) may be used to apply an additional polymeric material to the membrane (to, for example, provide a protective coating and further prevent the particulate material near the surface of the membrane from becoming dislodged.) The second chamber may be placed in series with and below chamber 24, such that upon exiting chamber 24, support with the blend applied thereon enters the second chamber 25. The second chamber may, for example, include a different polymeric material or a more dilute concentration of the polymeric material used to make the blend, which may include a lower concentration of particulate material or no particulate material at all.

As shown in Figures 9 and 10, the blend may be applied to both sides of support 18. However, it will be understood that, optionally, only one side of the support 18 may be coated with the blend. In any event, the coated support is introduced into a first coagulation bath 26. Typically, in the first coagulation bath 26, the blend is contacted with a

liquid or solution which is a non-solvent for the polymeric portion of the polymeric solution, but is freely miscible with the solvent portion of the polymer solution. Contact with the liquid or solution coagulates the solids (polymer and particulate) and exchanges the liquid portion so that on exiting bath 26, the polymeric material /particulate blend includes two continuous but separated phases. One phase includes the polymeric material with embedded particulate and the other phase includes the non-solvent liquid.

Rotation of the rollers 36 advances the membrane 10 from coagulation bath 26 to one or more extraction baths 28. Typically, extraction baths 28 contain a solution that will extract from the membrane any residual solvent used to dissolve the polymer. Depending on the type and strength of solvent, the membrane may undergo a series of wash steps, each bath further washing and removing solvent from the membrane. For purposes of example only, three (3) extraction baths 28 are shown in Figure 8.

Once the solvent has been substantially extracted from the membrane, the membrane may be dried. As shown in Figure 8, after the final extraction bath, the membrane may be introduced into an oven 30 such as an air circulating oven. Of course, other forms of drying may also be used including air drying or contacting the membrane with a heated surface.

Prior to or after drying, the membrane 10 may be further treated with a surfactant or other agent to, for example, make the membrane 10 hydrophilic, prevent the loss of wettability (as a result of drying) or restore the wettability of the membrane which may have been lost or diminished as a result of drying. Thus, as shown in Figure 8, the membrane may be introduced into another bath 32 containing the wetting agent or hydrophilizing coating agent. The method of applying

the surfactant is not limited to immersing it in bath 32, but may also include spraying or other forms of applying the surfactant to the membrane. If treated with a treating agent, further drying in oven 34 may be desired. The membrane may then be cut (to its desired width) and wound up on apparatus 38. Membrane 10 may further be cut into smaller lengths for inclusion in a container 12. The edges of the cut membrane 10 may be enclosed or treated with an epoxy or other sealant.

As set forth above, the membrane may be further contoured into a pleated or rippled sheet. An apparatus 44 for forming a rippled membrane is shown in Figs. 11-12 and the resultant membrane 10, is shown in Fig. 13. As shown in Figs. 11-12, apparatus 44 may include a series of stacked rods 46, the ends of which are retained within slots 48 of support member 50. Membrane 10 is woven between rods 44 as substantially shown in Fig. 12. Apparatus 44 with woven membrane 10 is heat set for approximately 10-30 minutes at a temperature suitable for the polymer. For example, where the polymer is polyurethane, a typical temperature may be approximately 100°C and a typical heating time may be approximately 15 minutes. After heating, the membrane retains a rippled shape as shown in Fig. 13. Of course, it will be appreciated that other ways of contouring (i.e., rippling, pleating) the membrane are also possible without departing from the present invention. The finished membrane 10 may then be sterilized by, for example, gamma radiation.

In a specific embodiment, membrane 10 is made of a polyurethane and activated charcoal powder. For example, polyurethane is dissolved in a solvent such as N-methylpyrrolidone (NMP). Between approximately 5%-20% by weight of polymer may be combined with approximately 80%-95% by weight of solvent to dissolve the polymer. Preferably, where the polymer is

polyurethane the amount of polymer is between about 6%-15% of the total polymer/solvent weight. As used herein, the polymer solution is expressed as the percentage (in weight percent) of the polymer in the solvent. Thus, for example, 10 grams of polyurethane may be combined with 90 grams of NMP to provide a 10% polymer solution. The resulting polymer solution is then combined with the particulate material to form the blend.

As used herein, the composition of the blend is expressed as the weight percentage of a particulate material (such as activated charcoal) in the combined amount of particulate and polymer (the solids). Thus, for example, 10 grams of activated charcoal (or other particulate) added to the polymer solution that includes 10 grams of polymer and 90 grams of solvent, would provide a membrane having 50% charcoal and 50% polymer. Similarly, 30 grams of activated charcoal (particulate) added to a polymer solution having 10 grams of polymer (polyurethane) would result in a membrane having a 75% "loading" of activated charcoal (or other particulate) and 25% polyurethane (i.e., 30 grams of particulate in 40 (10 + 30) grams of polymer and particulate is a 75% loading of particulate). In any event, the amount of activated charcoal should be at least 10% by weight and preferably 70% by weight.

After blending the activated charcoal with the polymer solution, the blend is then introduced into the chamber 24 as described above and may be applied to a polyester mesh material supplied from dispensing roll 22. In a preferred embodiment, the blend is applied to both sides of the polyester support, as shown in Figures 9 and 10, to achieve a total membrane thickness (film and support) 44 of approximately between 250 and 1000 micrometers and, preferably, 400-1000 micrometers. It has been observed that to achieve a membrane thickness of approximately 400-1000

micrometers, gap 40 in chamber 24 should be slightly wider than the desired thickness of the membrane and may measure, for example, between about 600-1200 micrometers. More specifically, it has been observed  
5 that to provide a polyurethane membrane with 70% activated charcoal powder having a thickness of about 500  $\mu\text{m}$ , gap 40 should be approximately 705  $\mu\text{m}$ , and to provide a polyurethane membrane with 70% activated charcoal powder having a thickness of 1000  $\mu\text{m}$ , gap 40  
10 should be approximately 1105  $\mu\text{m}$ . The membrane 10 is then introduced into coagulation bath 26 which, in the case of the polyurethane/activated charcoal blend described above, may include only water. As presently understood, exposure of the blend to water causes the  
15 polymeric blend to coagulate (because polyurethane is not miscible with water). As coagulation of the polymer proceeds, solvent NMP leaves the polymer in exchange for water. Further removal of solvent from the membrane occurs as the membrane is successively  
20 introduced to and removed from a series of extraction baths 28.

The rate of movement of the membrane 10 through the coagulation 26 bath, extraction baths 28 and ovens 30 and 34 may be controlled (by, for example, a human  
25 operator) by adjusting the rate of rotation of the rollers 30. For example, in one embodiment where the membrane includes 70% activated charcoal in a 10% polyurethane solution, the membrane advances through the coagulation, extraction baths and drying ovens at  
30 approximately between 1-4 ft/min and, typically 1 ft/min. This ensures, for example, that the solvent (NMP) is substantially extracted from the membrane, results in a thickness of the membrane that is within the preferred range, provides for sufficient drying  
35 and ensures that membrane is sufficiently treated with surfactant, if such treatment is desired. Of course, for polymers other than polyurethane, different

solutions for coagulation/extraction, different line speeds to either shorten or lengthen the residence time of the membrane in the coagulation and extraction baths may be desirable or even required. For example, if the polymer is PVDF, the coagulation bath may include methanol.

After extraction of the NMP solvent, membrane 10 may be dried in oven 30 for anywhere between 10 and 30 minutes at a temperature of at least 40°C and typically 50°C.

Membrane 10 may be treated with a wetting agent or hydrophilizing coating agent (hereinafter "treating agent") in bath 32 to enhance the sorption characteristics of membrane 10, prevent the loss of wettability after drying or restore lost or diminished wettability of the membrane caused by drying. The treating agent may be a compound (dissolved in an appropriate solvent) that is capable of hydrophilizing the membrane 10. For example, the treating agent may be polyvinyl alcohol (PVOH) dissolved in an isopropyl alcohol/water solution. Specifically, where the polymer is made of polyurethane with activated charcoal, the hydrophilizing bath may include between approximately 0.20%-1.5% PVOH in an approximately 50/50 water/isopropyl alcohol solution. For membranes made of polyurethane and activated charcoal, 0.25% up to about 1% PVOH solutions may be preferred.

Other solutions may also be used to treat the membrane 10 and make it more hydrophilic. Specifically, solutions including sodium chloride are suitable, including solutions that include 0.45% NaCl or 0.9% NaCl. This may include, for example, solutions commonly used in the storage of red blood cells, such as Adsol® (described in U.S. Patent Number 4,267,269 incorporated by reference herein). Still other solutions that may be used to treat the membrane include 1-10% glycerol in isopropyl alcohol,



polyethylene oxide (PEO) and/or blends of PEO and polyurethane in 70/30, 50/50, 30/70, isopropyl alcohol/water solutions. Where the membrane is used with a biological fluid, such as blood, membrane 10 may also be treated with an agent that further improves the hemocompatibility of the membrane relative to certain compounds or biological components. One such agent is polyhydroxyethylmethacrylate or PHEMA. In any event, the membrane 10 may be treated with the above described solutions prior to or after drying.

Membranes made in accordance with the present invention provide a unique and cost effective way of immobilizing fine particulate powder that is typically difficult to handle and prone to shedding. This is particularly advantageous in the field of blood therapy where introducing foreign particles into the blood or other biological fluid is considered undesirable. The membranes made in accordance with the present invention are also unique, in part, because the particulate is substantially captured by the polymer matrix without compromising the ability of the powder to act as a sorbent for organic compounds used in pathogen inactivation treatments. As presently understood, the fine powder is widely dispersed across the polymeric matrix and, therefore, provides a multitude of sorption sites for the molecules of the organic compounds. The broad dispersal of powder may also mean that molecules of the organic compounds will have to travel shorter distances before they are captured by the sorbent powder.

Actual membranes made in accordance with the present invention are shown in Figs. 14-20. In particular, Figs. 14-20 show a membrane made from a blend derived from a 10% polyurethane solution (PNO3) to which was added Norit® A Supra activated charcoal

powder to obtain a charcoal loading of approximately 70% (i.e., the solids comprise 70% activated charcoal and 30% polyurethane). The membrane was prepared using the apparatus generally depicted in Fig. 8 (using a single chamber 24) and described herein. A polyester mesh was used as a support.

The resultant membrane includes a polymeric matrix which, in Fig. 14, appears as an array of sponge-like structures. As further seen in Fig. 14, the polymeric matrix is substantially continuous throughout the membrane, even across portions of the polyester mesh support. The polyester mesh support is seen, in cross section, as the larger circular or oval structures near the center of the membrane. The top and bottom surfaces of the polymeric matrix include a thin "skin" layer. As seen in Figs. 15-17, it is believed that the semi-spherical, grain-like bodies may be particles of activated charcoal immobilized within the polymeric matrix.

Fig. 18 is a photograph of the surface of the membrane and, more particularly, the skin. As seen in Figs. 18 and 19, the skin is not completely continuous, but includes randomly spaced voids across the membrane. When magnified, charcoal particles held by the polymeric material near the surface of the membrane may be seen (Figs. 19 and 20). As seen in Fig. 20, the activated charcoal particle coated with the polymeric material has a textured look, not seen in the photographs of the activated charcoal particles alone (Figs 23-25). It is believed that the skin layer of the polymeric matrix assists in preventing the particles from dislodging. Significantly, while providing this protective function, the skin layer does not interfere with mass transport and remains permeable to certain molecules of the organic compounds to be removed. When used in pathogen inactivation processes, the membrane skin is permeable

to certain pathogen inactivation compounds but not, for example, to cellular or other components found in blood.

5 To test the effectiveness of the membranes of the present invention, samples of prepared membranes were contacted with solutions containing various compounds commonly used in pathogen inactivation procedures. The test procedures and results are described below.

10 Membranes of polyurethane and activated charcoal were prepared as substantially described above. The polyurethane/activated charcoal blend included 10% of the polyurethane PNO3 combined with 90% NMP solvent. Activated charcoal was added to obtain an activated charcoal loading of 70%. The blend was applied to a  
15 polyester mesh support as substantially described above to form a membrane. Two membranes were dried and treated with either 1) 0.25% PVOH in a 50/50 water/isopropyl alcohol solution or 2) 0.9% NaCl solution. Other membranes served as controls and  
20 were either dried only (and not treated with any solution) or not dried at all.

#### EXAMPLE 1

25 A solution containing 50  $\mu$ m methylene blue phosphate buffered saline was prepared and distributed into test tubes. Samples of the membranes prepared as described above were placed in each test tube. The ratio of membrane surface to fluid was approximately 2.0 cm<sup>2</sup>/ml. Samples were then taken from the test  
30 tubes at timed intervals. The degree of sorption of methylene blue was measured by spectroscopic means (at 630 nm). The results are shown in Figure 24.

EXAMPLE 2

5 A solution containing 6 mM reduced L-glutathione  
in phosphate buffered saline was prepared and  
distributed into test tubes. Samples of the membranes  
prepared as described above were placed in each test  
tube. The ratio of membrane surface to fluid was  
approximately 2.0 cm<sup>2</sup>/ml. Samples were then taken from  
the test tubes at timed intervals and the degree of  
sorption was determined by high performance liquid  
10 chromatography (HPLC). The results are shown in Figure  
25.

EXAMPLE 3

15 A membrane, having a 70% loading of activated  
charcoal in a 10% polyurethane (PNO3) solution was  
prepared as substantially described above. The  
membrane was cut into two 22.7 X 10.7 cm<sup>2</sup> sheets and  
placed inside of two separate 1 liter blood bags. Two  
units (approximately 300 ml each) of packed RBC were  
20 prepared by standard blood banking procedures and the  
acridine derivative (5-[ $\beta$  - carboxyethyl) amino}  
acridine (abbreviated as AD) of Example 3 and L-  
glutathione were added to each of the units. The  
starting concentrations of the acridine derivative and  
25 L-glutathione were measured and are reported below in  
Table 1 below (Time 0). Each unit of packed RBC was  
transferred to a container, including the sample  
membrane (described above). The ratio of membrane  
surface to fluid was approximately 2.5 cm<sup>2</sup>/ml. The  
30 containers were placed on a orbital shaker and  
agitated at room temperature. Samples were removed at  
1, 4 and 24 hours for analysis. The packed RBC  
samples were centrifuged in a microfuge at maximum RPM  
and the plasma supernatants were transferred to  
35 separate vials for analysis of L-glutathione (GSH) and  
acridine derivative by HPLC. Samples of packed RBCs  
were also analyzed with a Sysmex cell counter to

determine the degree of hemolysis in the various samples. The results are summarized in Table 1 below.

5

Table 1

Sample Time	AD ( $\mu\text{M}$ )	GSH (mM)	% Hemolysis
Time 0	584.02	6.75	1.95
1 Hour	124.72	5.77	2.05
4 Hour	6.07	4.88	1.95
24 Hour	1.15	3.85	2.25

10

As shown from these examples, a ratio of membrane surface to fluid of between about 2.0  $\text{cm}^2/\text{ml}$  -2.5  $\text{cm}^2/\text{ml}$  is effective for reducing the concentrations of pathogen inactivating compounds. Such ratios are particularly effective for the embodiments shown in Figs. 1 and 2. (i.e., a membrane sheet within a container of biological fluid), although any ratios of between 1.0-5.0  $\text{cm}^2/\text{ml}$  may also be effective for removing pathogen inactivating compounds in these or other embodiments.

15

20

#### EXAMPLE 4

The ability of five (5) different membranes, all made in accordance with the present invention, to remove pathogen inactivating treating agents from packed red blood cells was also evaluated. The membranes evaluated included a 70% loading of activated charcoal in a 10% polyurethane (PNO3) solution (as defined above). The sample membranes were, in some cases (e.g., test articles 2-5), treated with a treating agent and configured (flat or rippled) as set forth below. For comparison, test article 6 (a control) was a container of packed and treated (as described below) RBCs that included no sorbent whatsoever.

25

30

35

TABLE 2: SAMPLE MEMBRANES

Test Article	Membrane Treatment & Configuration
1	No treatment & dried, flat
2	0.9% NaCl & dried, flat
3	0.9% NaCl & dried, rippled
4	0.25% PVOH & dried, flat
5	0.25% PVOH & dried, rippled
6	No sorbent (control)

20 Seven units of ABO matched whole blood were  
 obtained. Each unit was centrifuged at 5,000 X G for  
 five minutes in a Sorval RC-3B centrifuge at 4150 rpm.  
 The supernatant plasma was expressed and 94 ml of a  
 solution that included approximately 25 mM sodium  
 25 citrate dihydrate, 4.4 mM sodium acid phosphate  
 dihydrate, 16 mM of sodium phosphate dihydrate, 1.5 mM  
 adenine and 39.9 mM of mannitol having a pH of  
 approximately 7.3 was added to each unit. The packed  
 red blood cells were then pooled in a three liter  
 30 container. The measured hematocrit was 64%. The  
 packed RBC were then dispensed into seven separate  
 containers, each container including approximately 280  
 ml of packed red blood cells. The packed red blood  
 cells were then dispensed into plastic containers and  
 35 held at 4° C for approximately four hours.

Next, the cooled containers were allowed to come  
 to room temperature. Twenty (20) ml of a 30 mM  
 glutathione solution in 4.1% dextrose was introduced  
 into a pouch containing approximately 30 mg of an  
 40 acridine compound [N,N-bis (2 - chloroethyl)] -2-  
 aminoethyl 3 [(Acridinyl-3-yl) amino] propionate

dihydrochloride. The powder was dissolved and the solution was added to the packed red blood cells and mixed to obtain final concentrations in the packed red blood cells of approximately 200  $\mu$ M of the acridine compound and 2 mM of L-glutathione. After transfer to a secondary container, the dosed packed red blood cells were held in a static condition at room temperature for approximately 8 hours.

Following the 8 hour incubation period, the treated packed red blood cells were sterile connected to a container including the membranes made as described above. The containers with packed red blood cells and the membranes were placed on an orbital shaker (72 cycle/minute) at room temperature for 8 hours. After 8 hours, the units were transferred to 4°C storage where they were agitated once every 4 hours for a 2 minute duration on a platelet shaker. A sample was collected every 2 hours for the first 8 hours after transfer to the container including the membrane. Samples were prepared for HPLC analysis to determine concentrations of the acridine derivative 5-[( $\beta$ -carboxyethyl) amino] acridine (abbreviated as AD) and total L-glutathione (oxidized (GSH) and reduced (GSSH)). Samples were also analyzed for % hematocrit, % hemolysis, hemoglobin, ATP concentration, pH and potassium (K<sup>+</sup> leakage). Samples were also collected and analyzed after one and two week exposure to the membrane at 4°C. The results after 8 hours exposure to the membrane are summarized in Table 2 and also in Figs. 26-28. The results after 1 week and 2 week exposure to the membrane are summarized in Tables 4 and 5.

TABLE 3: SUMMARY OF RESULTS AFTER 8 HOURS EXPOSURE TO MEMBRANE

Unit No.	Condition	Residual [AD] ( $\mu\text{M}$ )	Residual [GSH] and [GSSH] (mM)	% Lysis t=0 hr	% Lysis t=8 hr	[K <sup>+</sup> ] (mmol/L)	%HCT	[ATP] ( $\mu\text{mol/g}$ Hb) t=8 hr	pH
1	PNO3 Dried, flat	2.45	3.32	0.05	0.26	5.17	67	4.67	6.74
2	PNO3 NaCl, flat	2.89	2.54	0.05	0.29	4.64	63	4.68	6.76
3	PNO3 NaCl, rippled	2.10	2.66	0.06	0.19	4.72	63	4.65	6.77
4	PNO3 PVOH, flat	3.39	2.82	0.04	0.46	5.40	67	4.66	6.75
5	PNO3 PVOH, rippled	2.52	1.80	0.05	0.31	5.22	66	4.66	6.75
6	Control	54.98	6.13	0.06	0.06	4.77	64	4.64	6.74



TABLE 4: SUMMARY OF RESULTS AFTER 1 WEEK EXPOSURE TO MEMBRANE

Unit No.	Condition	Residual [AD] ( $\mu\text{M}$ )	Residual [GSH] and [GSSH] (mM)	% Lysis	[K <sup>+</sup> ] (mmol/L)	% HCT	[ATP] ( $\mu\text{mol/g Hb}$ )	pH
1	PNO3 Dried, flat	3.99	0.33	0.31	17.10	66	4.35	6.54
2	PNO3 NaCl, flat	3.89	0.35	0.40	15.66	62	4.36	6.55
3	PNO3 NaCl, rippled	2.93	0.46	0.26	15.90	63	4.33	6.53
4	PNO3 PVOH, flat	3.61	0.35	0.52	16.80	65	4.31	6.56
5	PNO3 PVOH, rippled	3.13	0.44	0.42	17.32	65	4.27	6.58
6	Control	70.90	4.12	0.11	16.52	63	4.32	6.49

TABLE 5: SUMMARY OF RESULTS AFTER 2 WEEKS EXPOSURE TO MEMBRANE

Unit No.	Condition	Residual [AD] ( $\mu\text{M}$ )	Residual [GSH] and [GSSH] (mM)	% Lysis	[K <sup>+</sup> ] (mmol/L)	% HCT	[ATP] ( $\mu\text{mol/gHb}$ )	pH
1	PNO3 Dried, flat	4.08	0.41	0.33	27.33	64	3.48	6.35
2	PNO3 NaCl, flat	4.23	0.39	0.39	24.63	62	3.52	6.35
3	PNO3 NaCl, rippled	3.09	0.50	0.27	25.65	62	3.50	6.35
4	PNO3 PVOH, flat	4.21	0.40	0.50	26.58	63	3.53	6.36
5	PNO3 PVOH, rippled	3.38	0.41	0.39	27.42	65	3.52	6.35
6	Control	80.58	3.94	0.09	26.49	63	3.47	6.33

As shown from foregoing and in Fig. 26, substantial sorption of the acridine derivatives was obtained in under 5 hours. Substantial sorption of L-glutathione (oxidized and reduced) was also achieved in under 24 hours (Fig. 27). Hemolysis and ATP levels remained acceptable for transfusion of RBCs to recipients (Fig. 28).

The present invention has been described, for purposes of illustration only, in the context of selected embodiments and methods. It will be appreciated, however, that various modifications of the embodiments and methods described herein are possible in accordance with the scope of the appended claims.

THAT WHICH IS CLAIMED:

1. Apparatus for reducing the concentration of selected organic compounds within a biological fluid comprising:
  - 5 a biocompatible container;
  - a composite membrane disposed within the interior of said container, said membrane comprising a selected quantity of a non-fiberized polymeric material and selected quantity of a  
10 particulate sorbent material.
2. Apparatus of Claim 1 wherein said membrane comprises a polymeric matrix and said particulate is immobilized within said matrix.
3. Apparatus of Claim 2 wherein said membrane is affixed to at least one interior wall of said container.
4. Apparatus of Claim 1 wherein said polymeric material is selected from the group consisting of polyurethane, polyvinylidene fluoride, cellulose acetate and polyvinyl chloride.
5. Apparatus of Claim 1 wherein said polymeric material is naturally hydrophobic.
6. Apparatus of Claim 2 wherein said membrane further comprises an internal support.
7. Apparatus of Claim 6 wherein said support comprises a polyester mesh material.
8. Apparatus of Claim 1 wherein said sorbent comprises powdered activated charcoal.

9. Apparatus of Claim 1 wherein said membrane comprises a contoured sheet.
10. Apparatus of Claim 1 wherein said membrane further comprises a selectively permeable skin on the outer surface of said membrane.
11. A method for selectively removing selected organic compounds from a biological fluid comprising:  
providing a quantity of a biological fluid including selected organic compounds; and  
5 contacting said biological fluid with a composite membrane, said membrane comprising a selected quantity of a non-fiberized polymeric material and a selected quantity of activated charcoal substantially immobilized within said  
10 polymeric material.
12. The method of Claim 11 wherein said biological fluid comprises blood components.
13. The method of Claim 11 wherein said biological fluid comprises at least red blood cells.
14. The method of Claim 11 wherein said organic compound comprises a cyclic organic compound.
15. The method of Claim 11 wherein said organic compound comprises a tripeptide.
16. The method of Claim 15 wherein said tripeptide comprises L-glutathione.
17. The method of Claim 11 wherein said membrane comprises a selectively permeable skin on the surface of said membrane.

18. The method of Claim 11 wherein the ratio of membrane area to volume of biological fluid is between about 1.0 cm<sup>2</sup>/ml to 5.0 cm<sup>2</sup>/ml.

19. The method of Claim 11 comprising contacting said biological fluid with said membrane for up to about 24 hours.

20. The method of Claim 11 comprising enhancing the exposure of said membrane to said biological fluid by providing a contoured membrane.

21. The method of Claim 11 comprising contacting said biological fluid with said membrane for at least one week.

22. The method of Claim 11 comprising contacting said biological fluid within said membrane for up to two weeks.

23. A flexible composite membrane for reducing the concentration of selected organic compounds within a biological fluid, said membrane comprising:

a selected quantity of a polymeric material  
and a selected quantity of activated charcoal;

a polymeric matrix wherein said activated charcoal is substantially immobilized within said polymeric matrix; and

a selectively permeable skin on the outer surface of said membrane.

24. The membrane of Claim 23 wherein said polymeric material is selected from the group consisting of polyurethane, polyvinylidene fluoride, cellulose acetate and polyvinyl chloride.

25. The membrane of claim 23 wherein said polymeric material is naturally hydrophobic.

26. The membrane of Claim 23 wherein more of said particulate material is disposed within the interior of said membrane than within said skin.

27. The membrane of Claim 23 comprising between about 5 and 30% by weight of said polymeric material and between about 70%-95% by weight of activated charcoal.

28. The membrane of Claim 23 further comprising a polyester mesh support within said membrane.

29. The membrane of Claim 28 wherein the thickness of said membrane is at least 400  $\mu\text{m}$ .

30. The membrane of Claim 23 wherein said skin is permeable to at least acridine compounds and reduced L-glutathione.

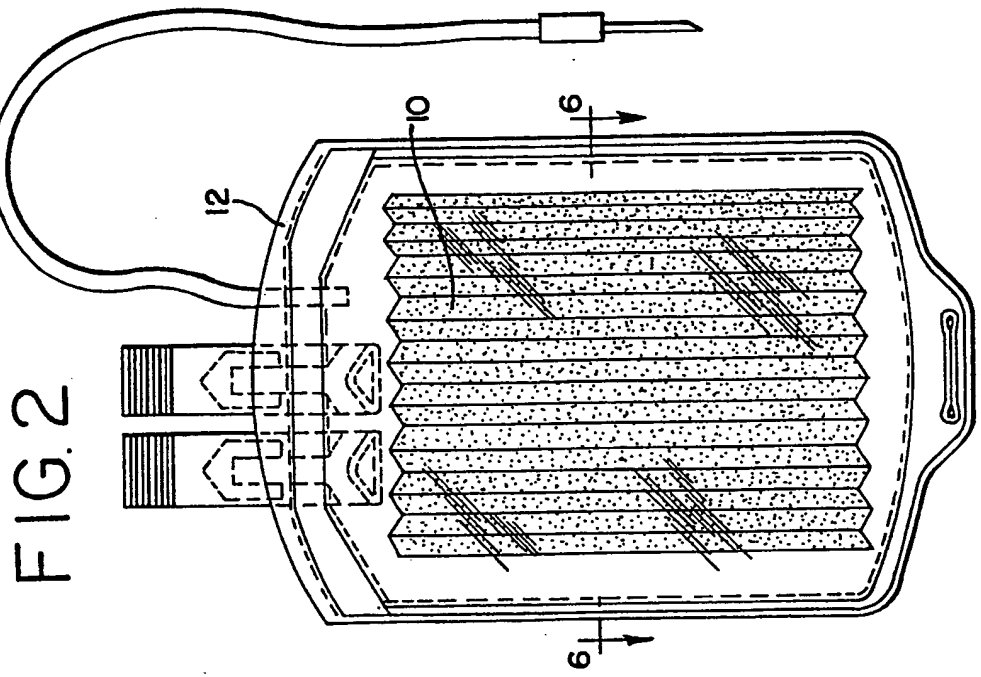


FIG. 2

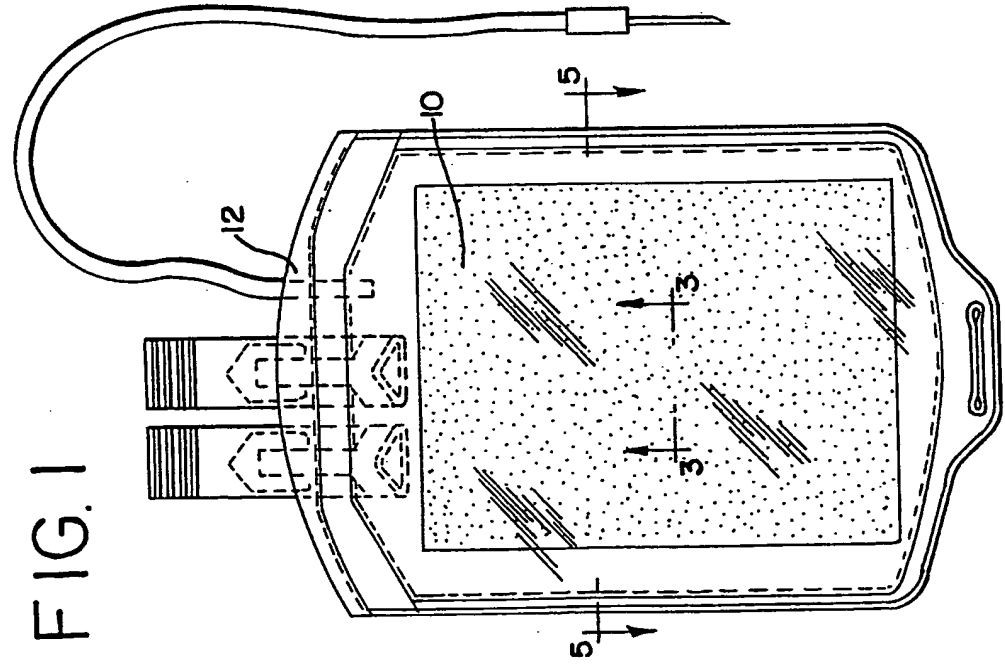


FIG. 1



FIG. 3

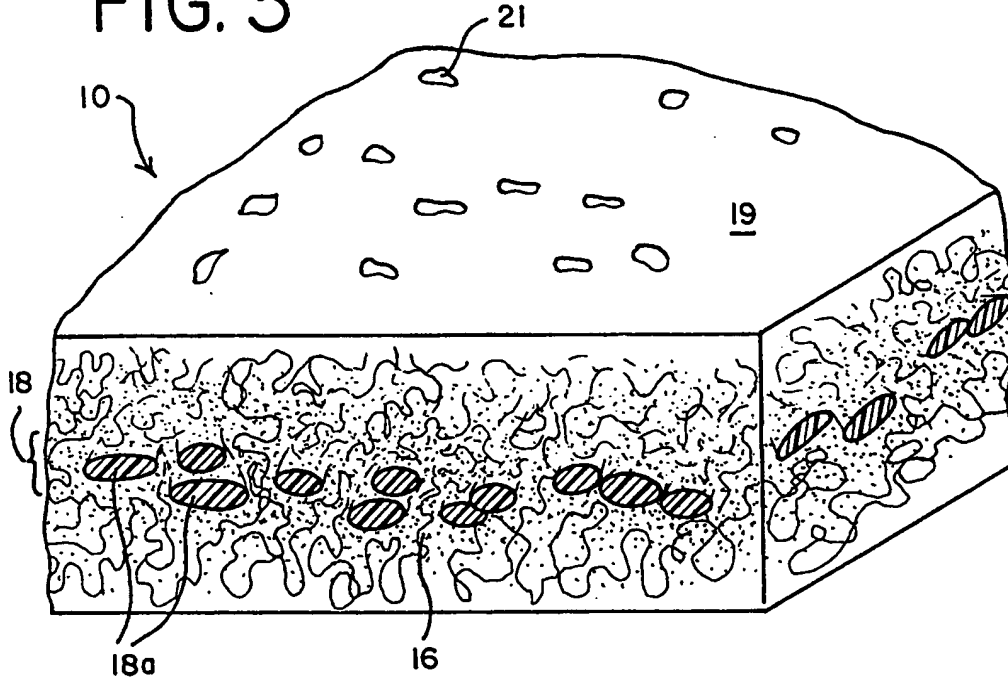


FIG. 4

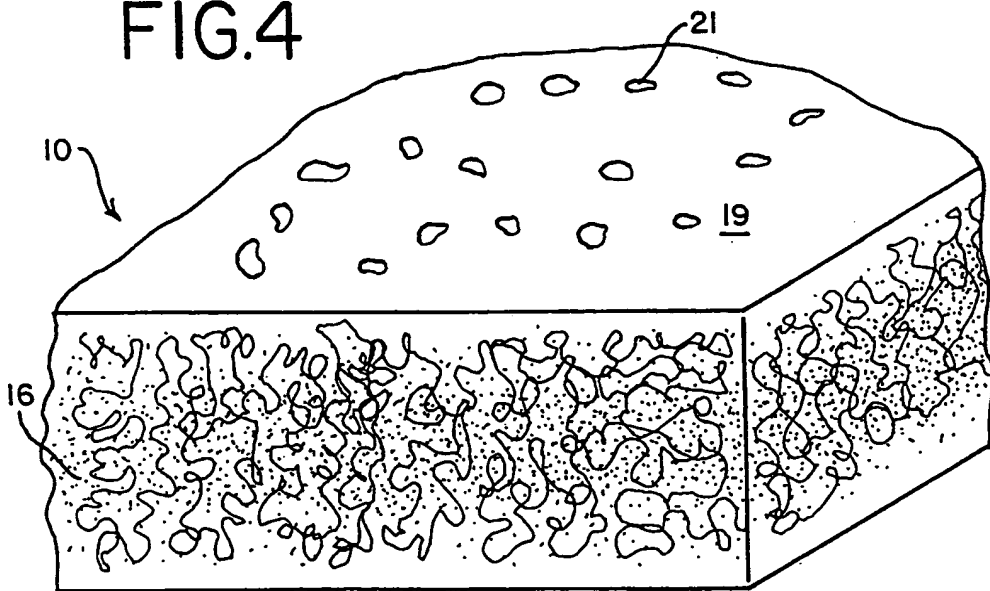


FIG.5

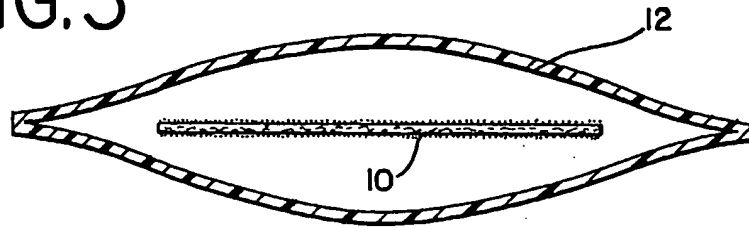


FIG.6

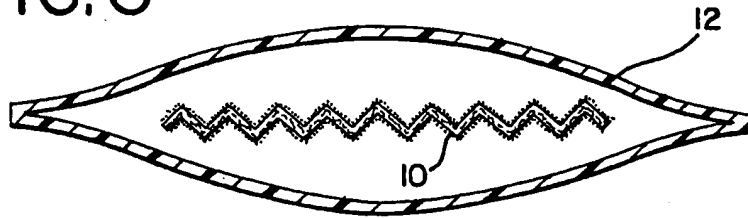


FIG.7

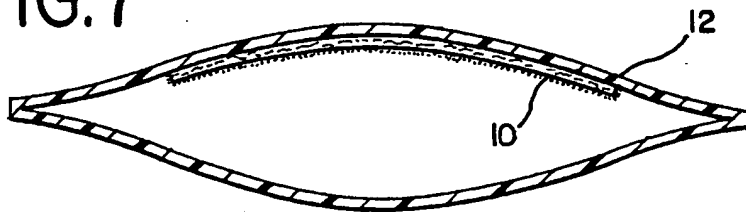


FIG.7A

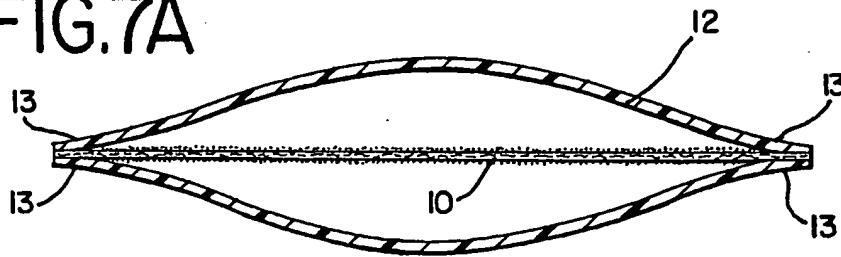
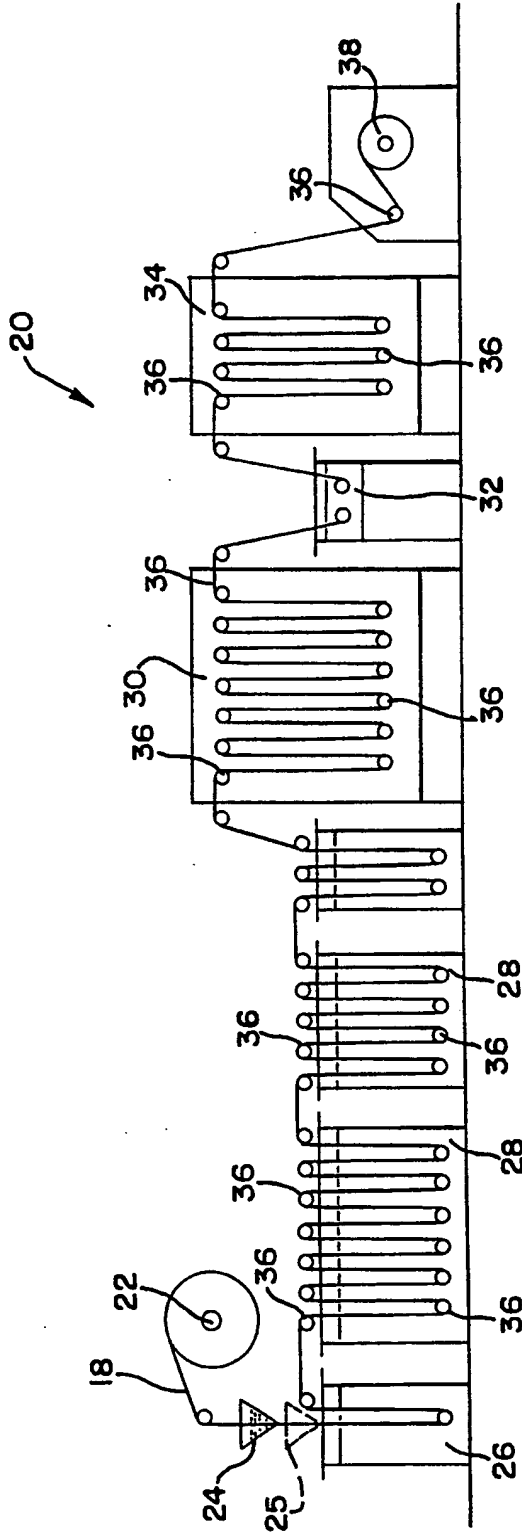
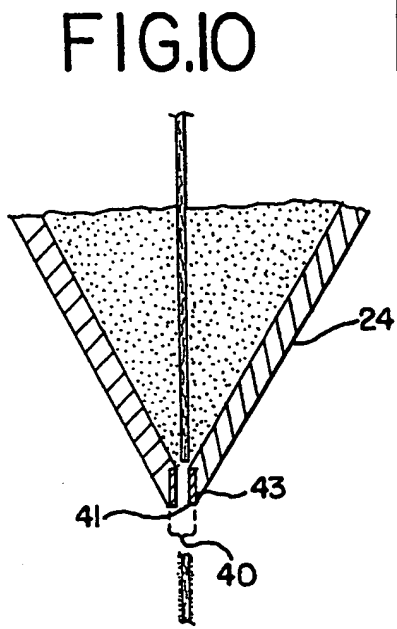
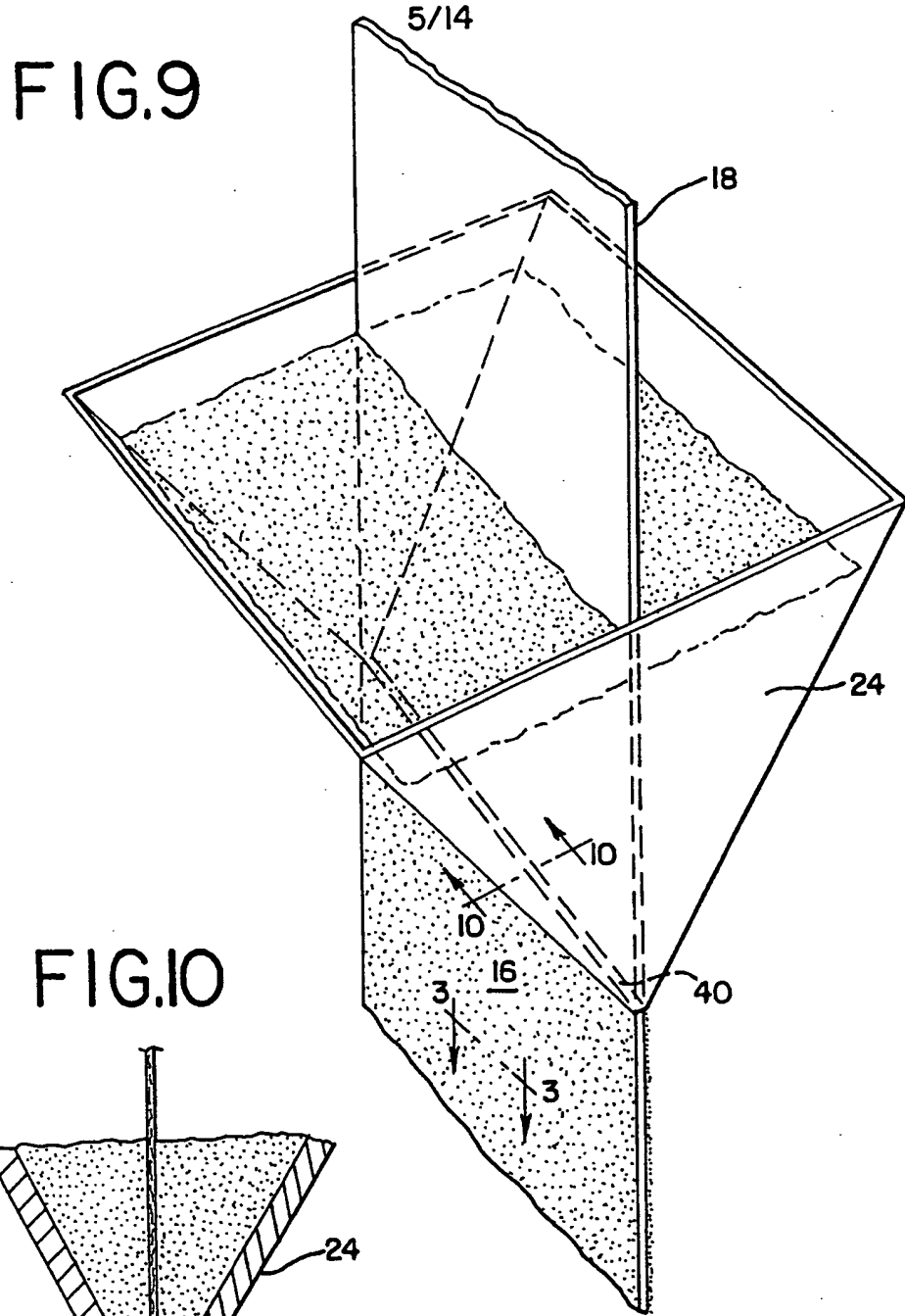


FIG. 8





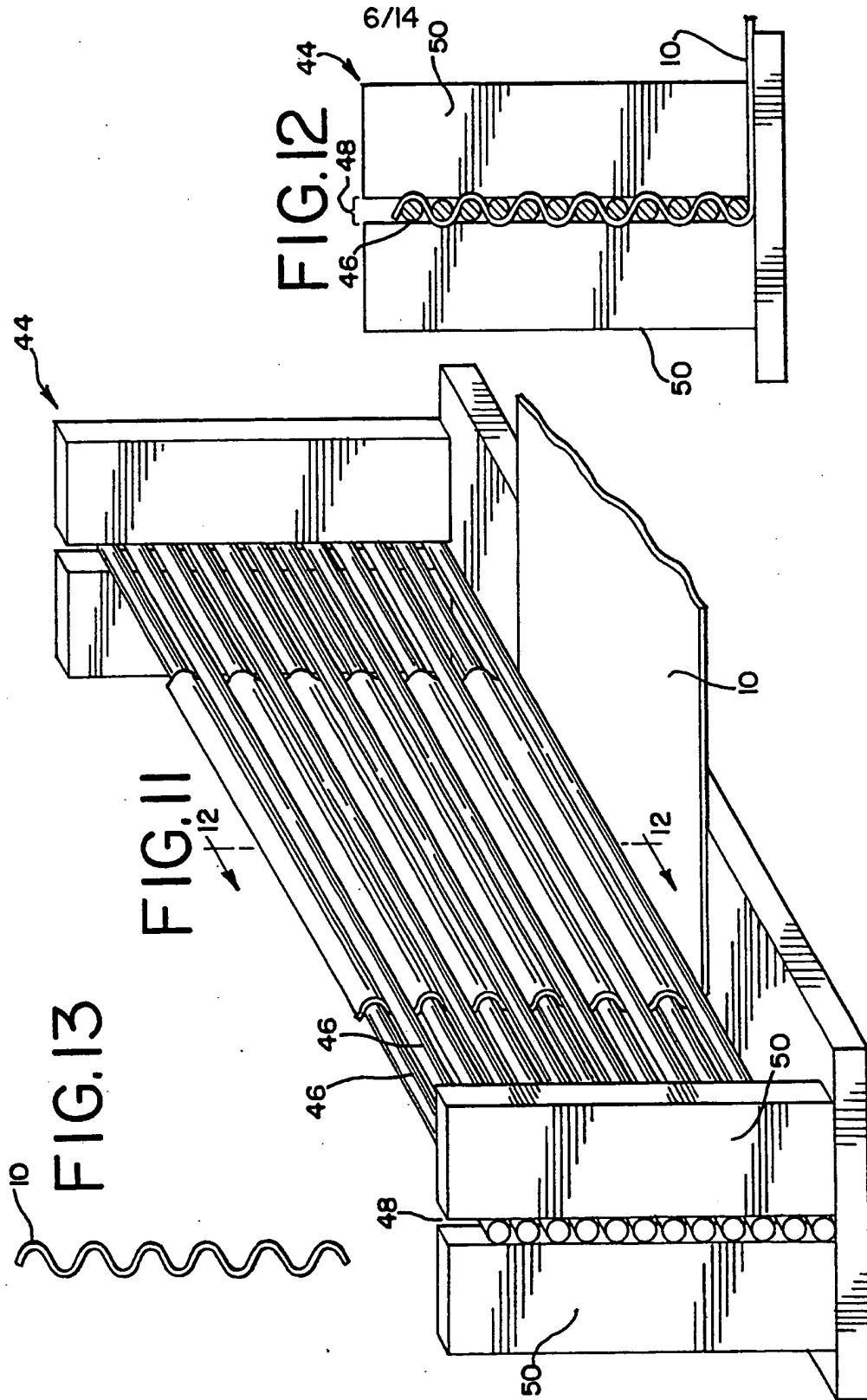


FIG. 14

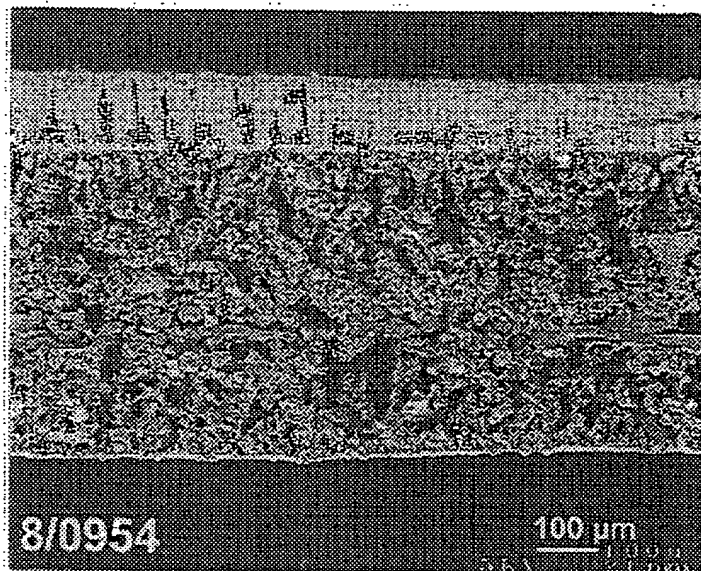


FIG. 15

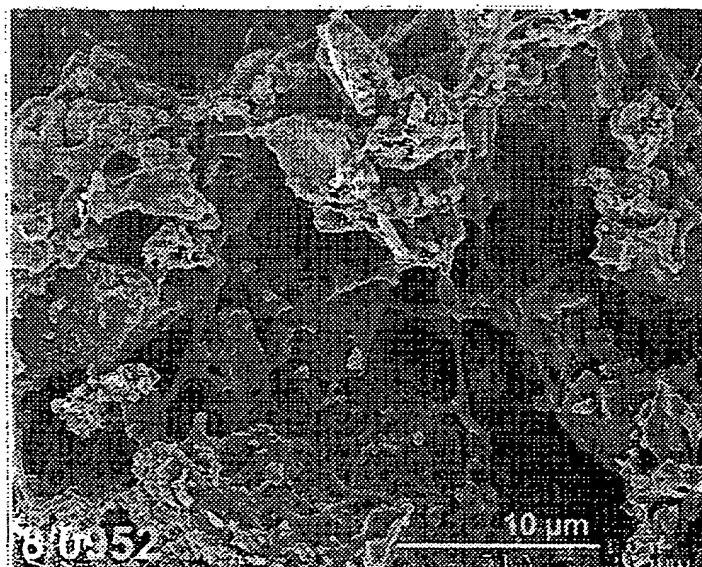


FIG. 16

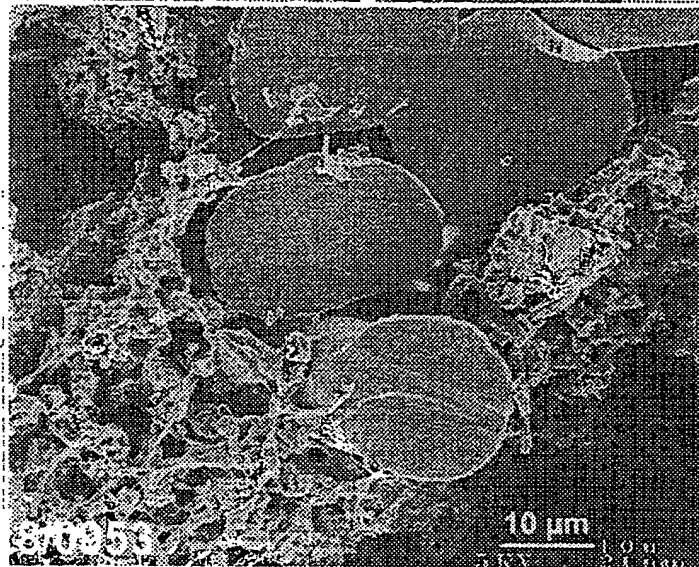


FIG. 17

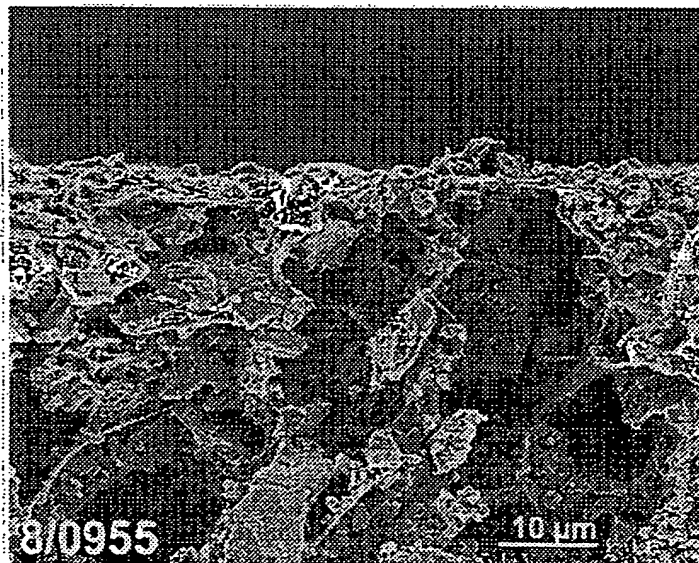


FIG. 18

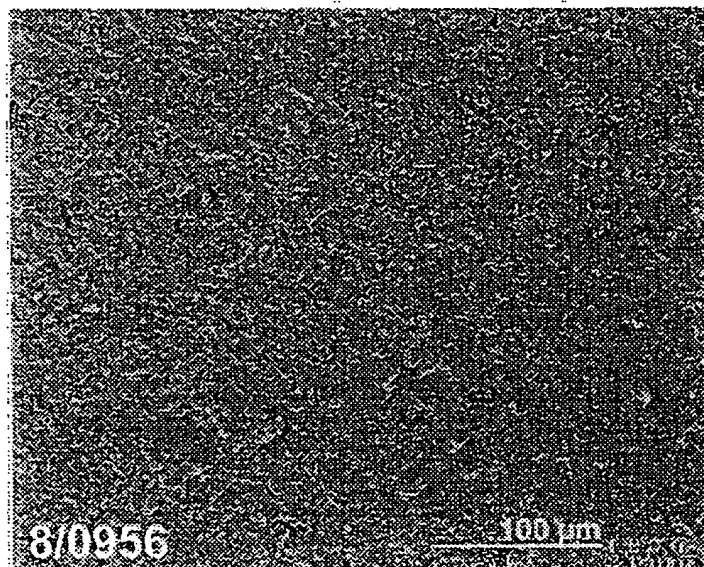
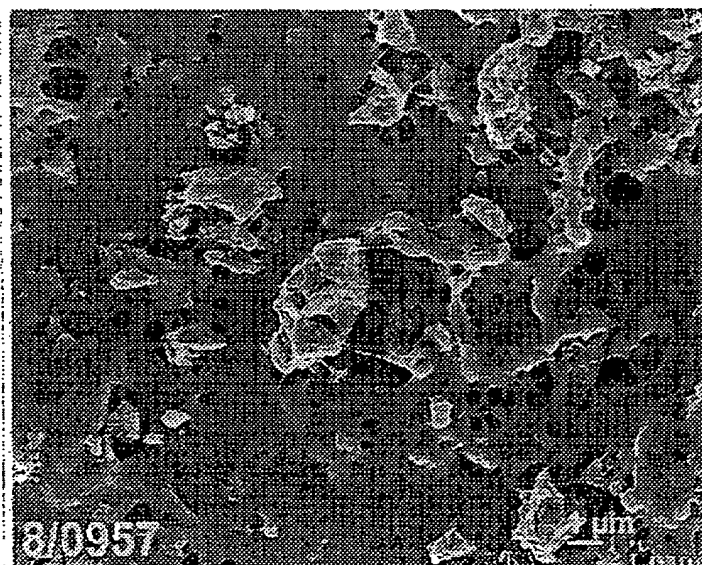


FIG. 19





10/14

FIG. 20

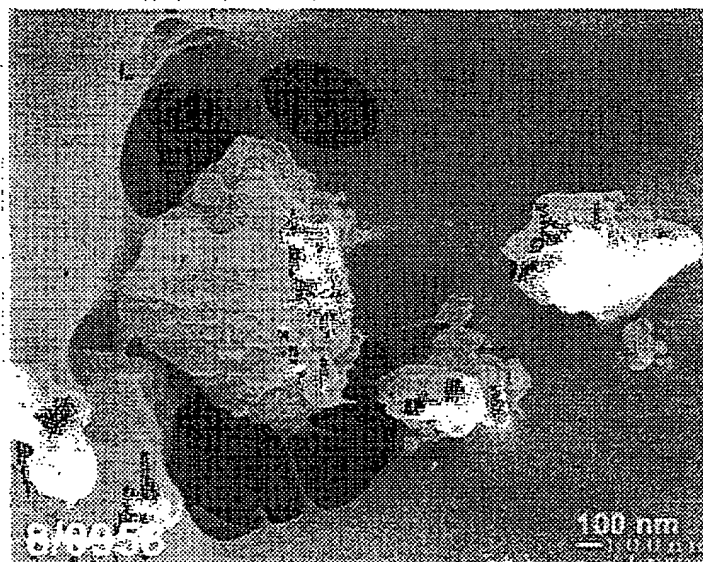
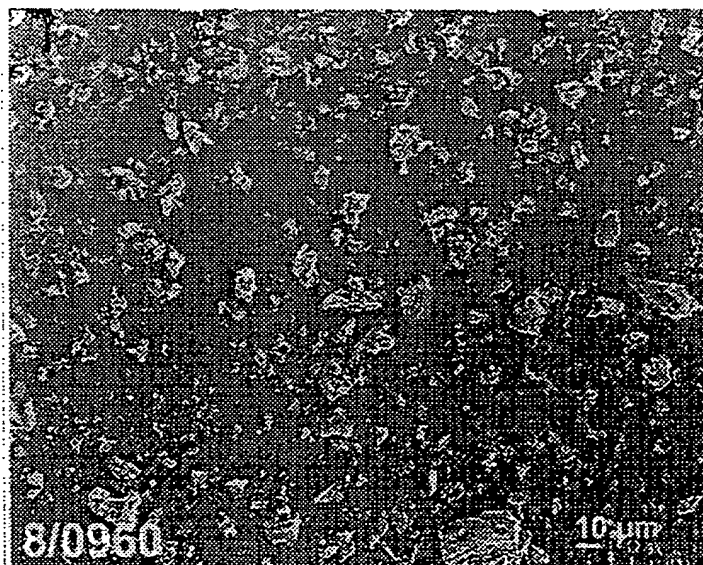


FIG. 21



11/14

FIG. 22

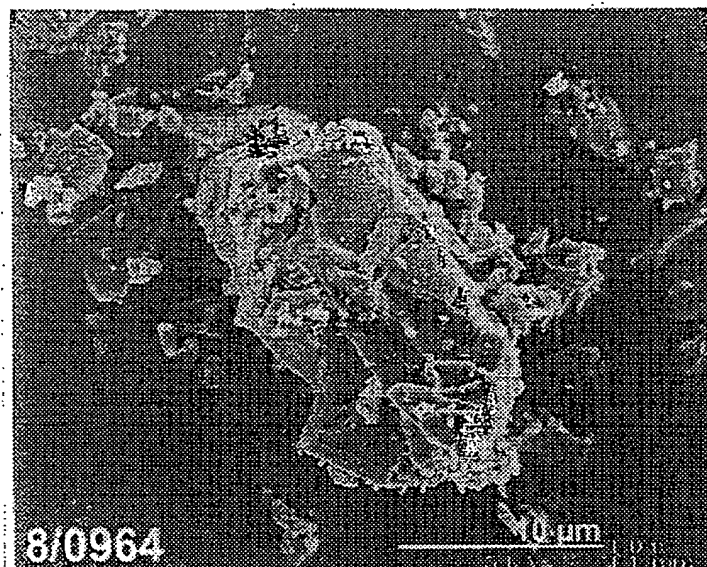
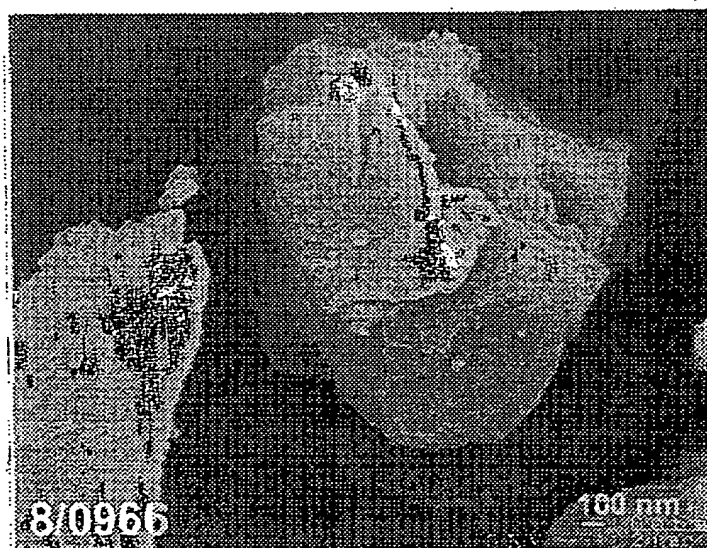


FIG. 23



12/14

FIG.24

METHYLENE BLUE SORPTION  
FOR VARIOUS PNO3 IO/70 MEMBRANES

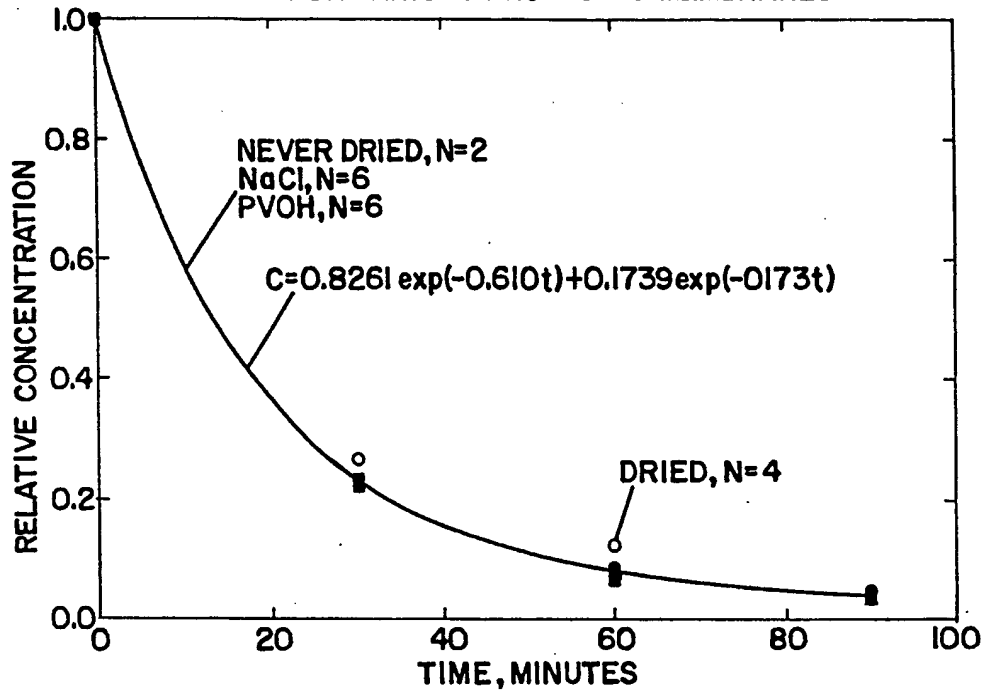
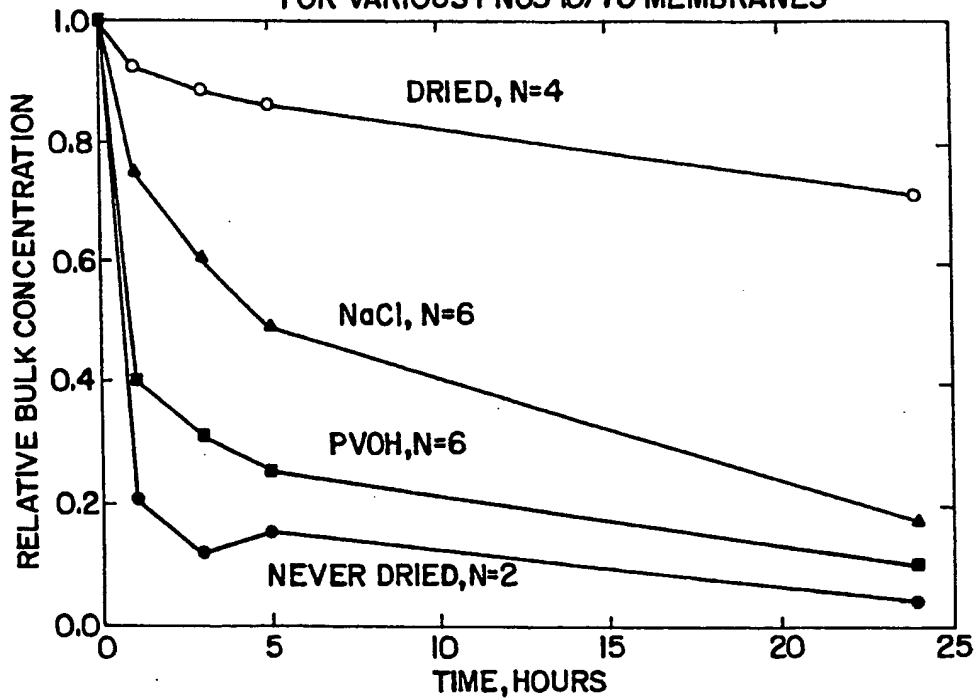


FIG.25

GLUTATHIONE SORPTION  
FOR VARIOUS PNO3 IO/70 MEMBRANES



# FIG.26

LEVELS OF ACRIDINE DERIVATIVE IN PRBC TREATED WITH 200 $\mu$ M ACRIDINE COMPOUND AND 2mM GSH

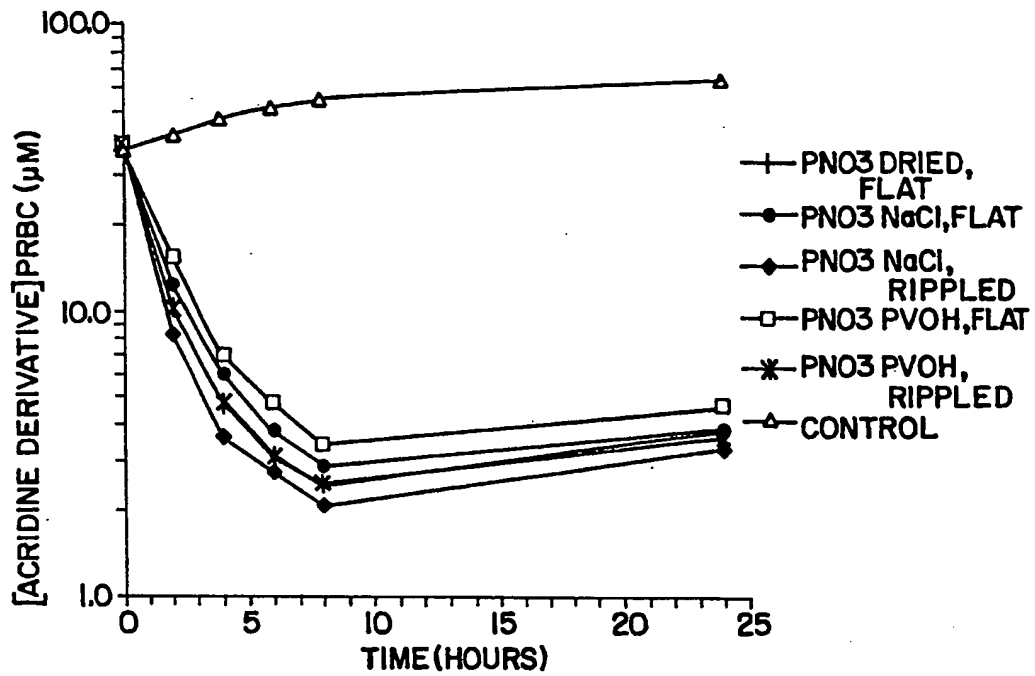


FIG. 27

14/14

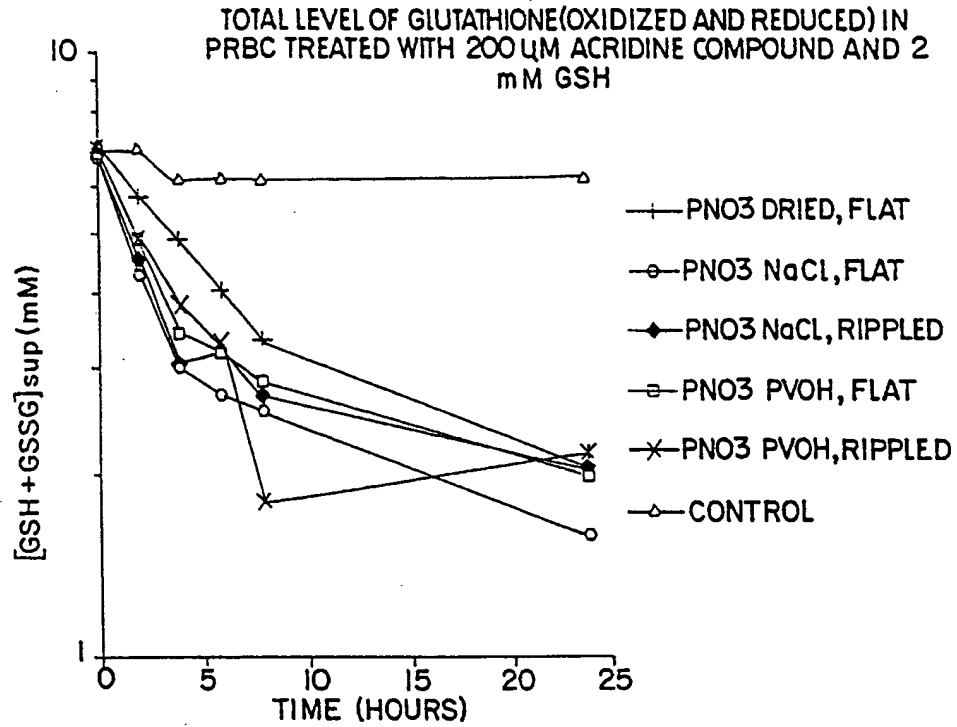
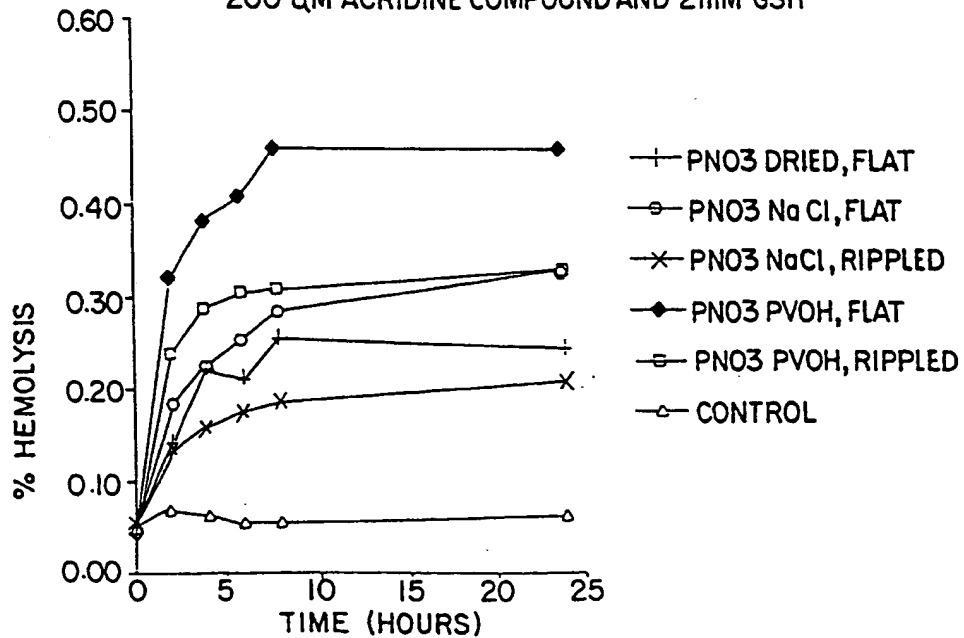



FIG. 28

% HEMOLYSIS IN PRBCs TREATED WITH 200  $\mu$ M ACRIDINE COMPOUND AND 2 mM GSH



## INTERNATIONAL SEARCH REPORT

International application No.  
PCT/US99/14474

<b>A. CLASSIFICATION OF SUBJECT MATTER</b>		
IPC(6) :B01D 61/00 US CL :210/645 According to International Patent Classification (IPC) or to both national classification and IPC		
<b>B. FIELDS SEARCHED</b>		
Minimum documentation searched (classification system followed by classification symbols) U.S. : 210/645, 646, 650-654, 679, 691, 692, 694, 767; 435/2,238; 604/4-6		
Documentation searched other than minimum documentation to the extent that such documents are included in the fields searched		
Electronic data base consulted during the international search (name of data base and, where practicable, search terms used)		
<b>C. DOCUMENTS CONSIDERED TO BE RELEVANT</b>		
Category*	Citation of document, with indication, where appropriate, of the relevant passages	Relevant to claim No.
Y, P	US 5,795,483 (UNG-CHHUN ET AL) 18 August 1998, see entire document.	10, 17 and 23-30
Y	US 5,660,731 (PIECHOCKI ET AL) 26 August 1997, see entire document.	1-30
Y	US 5,639,376 (LEE ET AL), 17 June 1997, see entire document.	1-30
Y	US 5,277,820 (ASH), 11 January 1994, see entire document.	8, 10-30
<input type="checkbox"/> Further documents are listed in the continuation of Box C. <input type="checkbox"/> See patent family annex.		
<p>* Special categories of cited documents:</p> <p>*A* document defining the general state of the art which is not considered to be of particular relevance</p> <p>*B* earlier document published on or after the international filing date</p> <p>*L* document which may throw doubts on priority claim(s) or which is cited to establish the publication date of another citation or other special reason (as specified)</p> <p>*O* document referring to an oral disclosure, use, exhibition or other means</p> <p>*P* document published prior to the international filing date but later than the priority date claimed</p> <p>*T* later document published after the international filing date or priority date and not in conflict with the application but cited to understand the principle or theory underlying the invention</p> <p>*X* document of particular relevance; the claimed invention cannot be considered novel or cannot be considered to involve an inventive step when the document is taken alone</p> <p>*Y* document of particular relevance; the claimed invention cannot be considered to involve an inventive step when the document is combined with one or more other such documents, such combination being obvious to a person skilled in the art</p> <p>*A* Document member of the same patent family</p>		
Date of the actual completion of the international search 21 SEPTEMBER 1999		Date of mailing of the international search report 07 OCT 1999
Name and mailing address of the ISA/US Commissioner of Patents and Trademarks Box PCT Washington, D.C. 20231 Facsimile No. (703) 305-3230		Authorized officer JOSEPH DRODGE  Telephone No. (703) 308-0651

**This Page is Inserted by IFW Indexing and Scanning  
Operations and is not part of the Official Record**

**BEST AVAILABLE IMAGES**

Defective images within this document are accurate representations of the original documents submitted by the applicant.

Defects in the images include but are not limited to the items checked:

- BLACK BORDERS**
- IMAGE CUT OFF AT TOP, BOTTOM OR SIDES**
- FADED TEXT OR DRAWING**
- BLURRED OR ILLEGIBLE TEXT OR DRAWING**
- SKEWED/SLANTED IMAGES**
- COLOR OR BLACK AND WHITE PHOTOGRAPHS**
- GRAY SCALE DOCUMENTS**
- LINES OR MARKS ON ORIGINAL DOCUMENT**
- REFERENCE(S) OR EXHIBIT(S) SUBMITTED ARE POOR QUALITY**
- OTHER:** \_\_\_\_\_

**IMAGES ARE BEST AVAILABLE COPY.**

**As rescanning these documents will not correct the image problems checked, please do not report these problems to the IFW Image Problem Mailbox.**